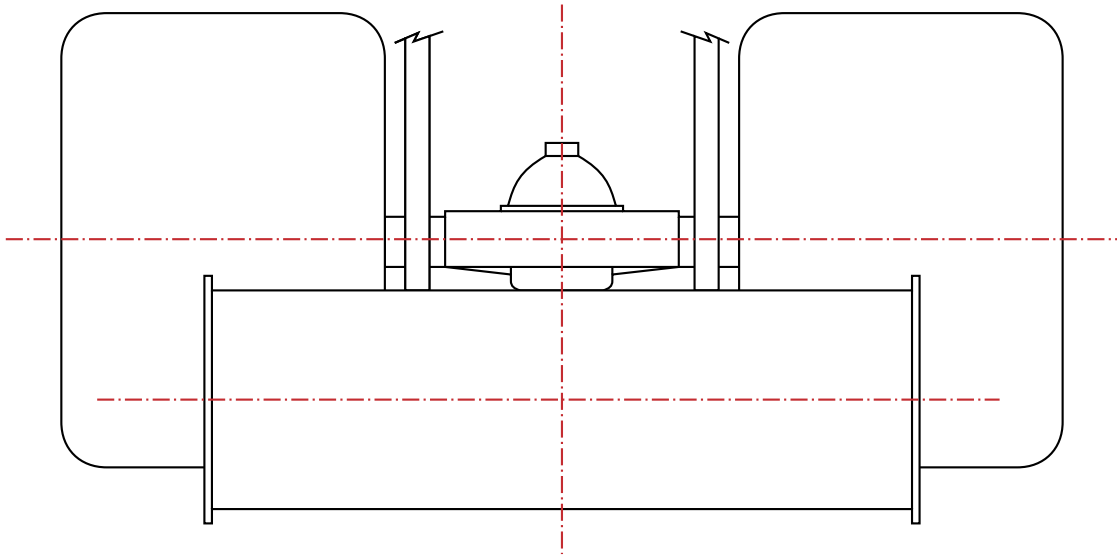


Rear Wing Mounting Instructions

Top View

When mounting wing, be sure to center wing in the center of the car, square to the center line of the chassis (parallel to rear axle centerline) and level with the chassis when viewed from the rear.



Side View

Wing mounting should allow for adjustment. The angle of attack operating range is 0° to 12° .

Weld tabs and strut rods to fit application.

